

**• General Description**

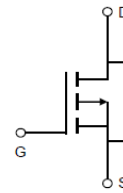
The ZM071P03P combines advanced trench MOSFET technology with a low resistance package to provide extremely low  $R_{DS(ON)}$ .

**• Features**

- Advance high cell density Trench technology
- Low  $R_{DS(ON)}$  to minimize conductive loss
- Low Gate Charge for fast switching
- Low Thermal resistance

**• Application**

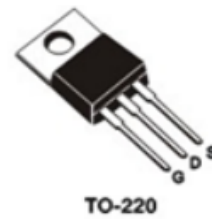
- MB/VGA Vcore
- SMPS 2<sup>nd</sup> Synchronous Rectifier
- POL application
- BLDC Motor driver

**• Product Summary**


$V_{DS} = -30V$

$R_{DS(ON)} = 7.1m\Omega$

$I_D = -75A$


**TO-220**

**• Ordering Information:**

Part NO.	ZM071P03P
Marking	ZM071P03
Packing Information	Bulk Tube
Basic ordering unit (pcs)	500

**• Absolute Maximum Ratings ( $T_c = 25^\circ C$ )**

Parameter	Symbol	Rating	Unit
Drain-Source Voltage	$V_{DS}$	-30	V
Gate-Source Voltage	$V_{GS}$	$\pm 20$	V
Continuous Drain Current	$I_D @ TC=25^\circ C$	-75	A
	$I_D @ TC=75^\circ C$	-57	A
	$I_D @ TC=100^\circ C$	-47.3	A
Pulsed Drain Current <sup>①</sup>	$I_{DM}$	-180	A
Total Power Dissipation( $TC=25^\circ C$ )	$P_D @ TC=25^\circ C$	90	W
Total Power Dissipation( $TA=25^\circ C$ )	$P_D @ TA=25^\circ C$	2.8	W
Operating Junction Temperature	$T_J$	-55 to 150	$^\circ C$
Storage Temperature	$T_{STG}$	-55 to 150	$^\circ C$
Single Pulse Avalanche Energy	$E_{AS}$	260	mJ

**•Thermal resistance**

Parameter	Symbol	Min.	Typ.	Max.	Unit
Thermal resistance, junction - case	$R_{thJC}$	-	-	6.5	$^{\circ}C/W$
Thermal resistance, junction - ambient	$R_{thJA}$	-	-	44	$^{\circ}C/W$
Soldering temperature, wavesoldering for 10s	$T_{sold}$	-	-	265	$^{\circ}C$

**•Electronic Characteristics**

Parameter	Symbol	Condition	Min.	Typ	Max.	Unit
Drain-Source Breakdown Voltage	$BV_{DSS}$	$V_{GS}=0V, I_D=-250\mu A$	-30			V
Gate Threshold Voltage	$V_{GS(TH)}$	$V_{GS}=V_{DS}, I_D=-250\mu A$	-1.2	-1.9	-2.5	V
Drain-Source Leakage Current	$I_{DSS}$	$V_{DS}=-30V, V_{GS}=0V$			-1.0	$\mu A$
Gate- Source Leakage Current	$I_{GSS}$	$V_{GS}=\pm 20V, V_{DS}=0V$			$\pm 100$	nA
Static Drain-source On Resistance	$R_{DS(ON)}$	$V_{GS}=-10V, I_D=-20A$		7.1	8.5	m $\Omega$
		$V_{GS}=-4.5V, I_D=-10A$		11	14	m $\Omega$
Forward Transconductance	$g_{FS}$	$V_{DS}=-10V, I_D=-5A$		10		S
Source-drain voltage	$V_{SD}$	$I_S=-20A$			1.28	V

**•Electronic Characteristics**

Parameter	Symbol	Condition	Min.	Typ	Max.	Unit
Input capacitance	$C_{iss}$	f = 1MHz	-	2800	-	pF
Output capacitance	$C_{oss}$		-	420	-	
Reverse transfer capacitance	$C_{rss}$		-	280	-	

**•Gate Charge characteristics( $T_a = 25^{\circ}C$ )**

Parameter	Symbol	Condition	Min.	Typ	Max.	Unit
Total gate charge	$Q_g$	$V_{DD}=-15V$	-	27	-	nC
Gate - Source charge	$Q_{gs}$	$I_D=-8A$	-	8.6	-	
Gate - Drain charge	$Q_{gd}$	$V_{GS}=-10V$	-	13.8	-	

Note: ① Pulse Test : Pulse width  $\leq 300\mu s$ , Duty cycle  $\leq 2\%$  ;

② Device mounted on FR-4 substrate PC board, 2oz copper, with thermal bias to bottom layer 1inch square copper plate;

Fig.1 Power Dissipation Derating Curve

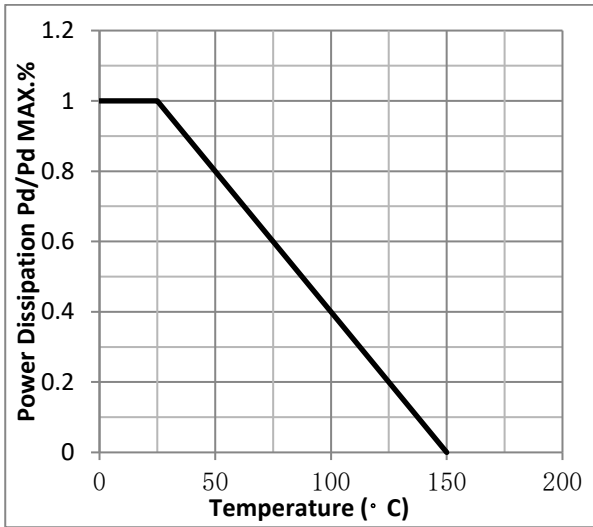


Fig.2 Typical output Characteristics

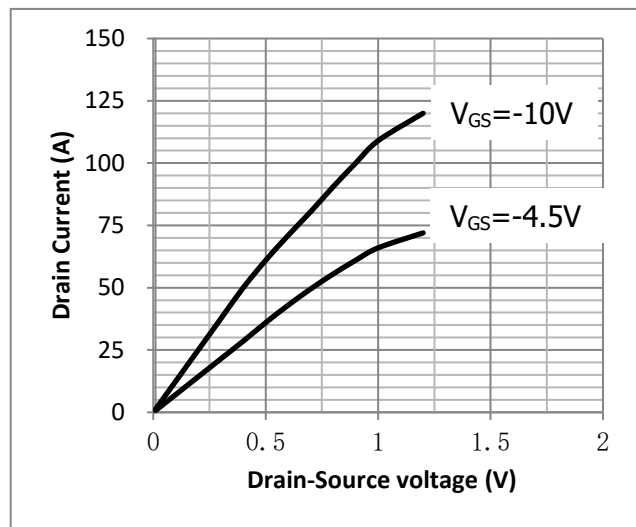


Fig.3 Threshold Voltage V.S Junction Temperature

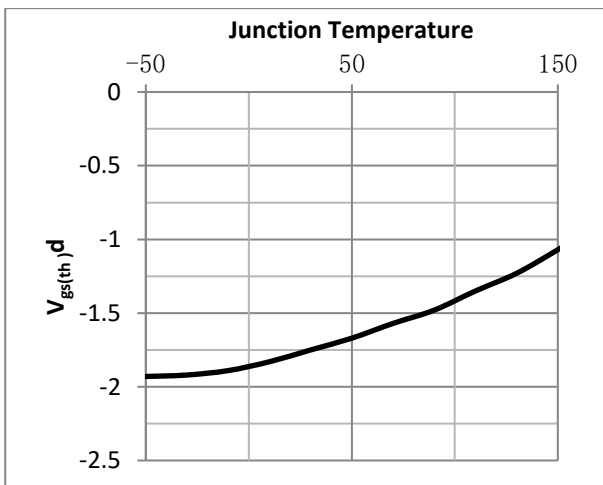


Fig.4 Resistance V.S Drain Current

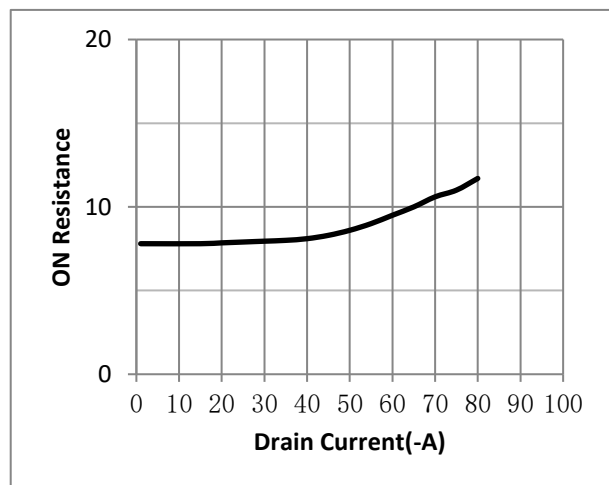


Fig.5 On-Resistance VS Gate Source Voltage

Fig.6 On-Resistance V.S Junction Temperature

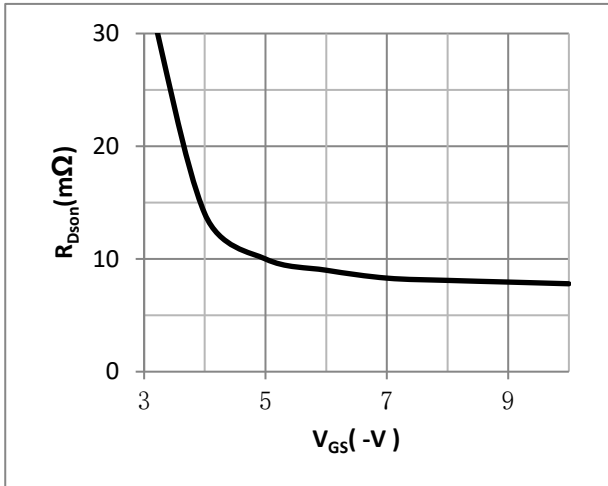


Fig.7 Switching Time Measurement Circuit

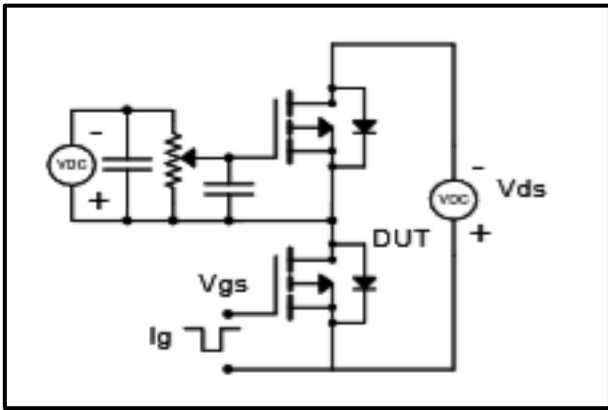


Fig.9 Switching Time Measurement Circuit

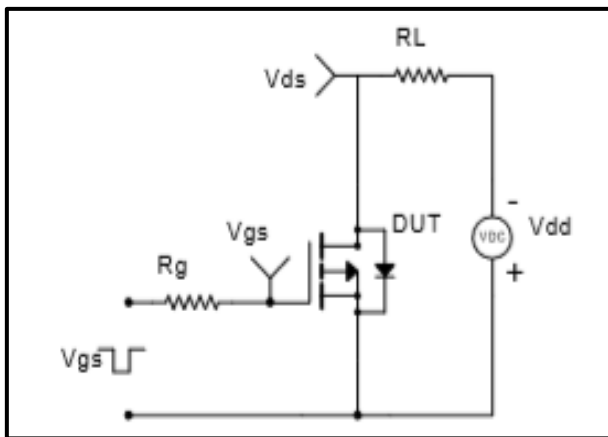


Fig.11 Avalanche Measurement Circuit

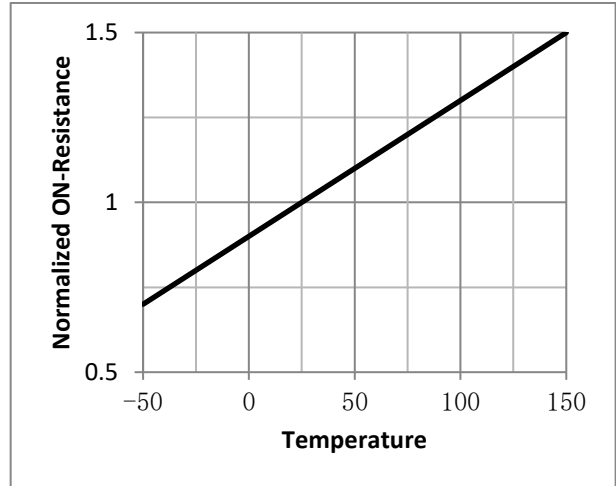
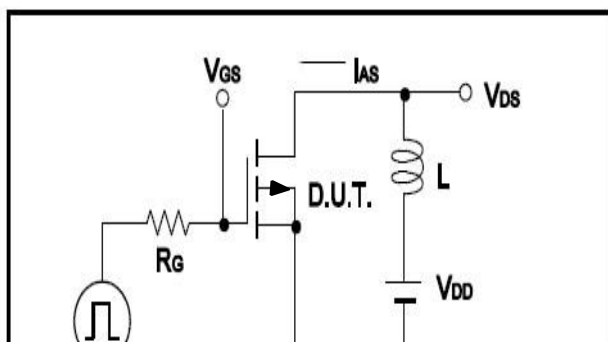


Fig.8 Gate Charge Waveform

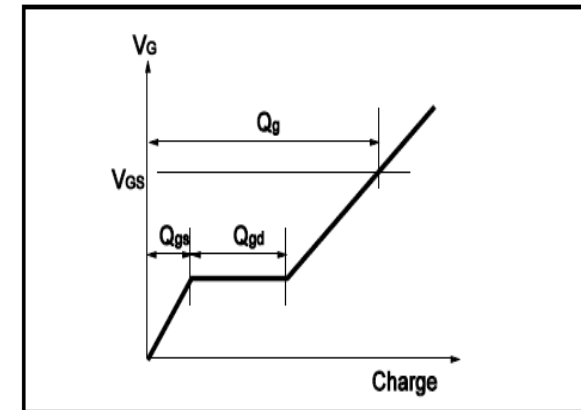


Fig.10 Gate Charge Waveform

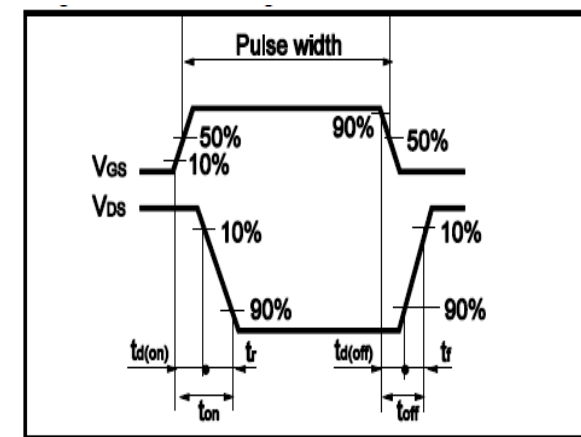
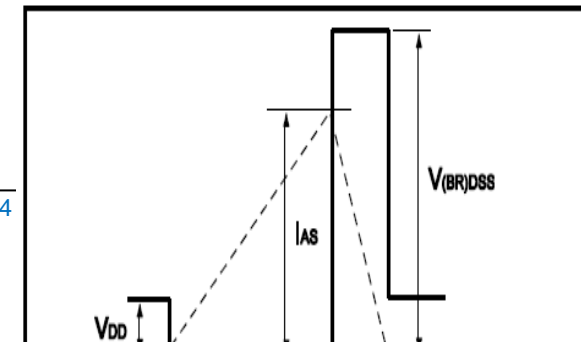


Fig.12 Avalanche Waveform





•Dimensions (TO-220)

Unit: mm

SYMBOL	min	nom	max	SYMBOL	min	nom	max
A	4.00		4.80	E	9.90		10.70
B	1.20		1.50	e		2.54	
B1	1.00		1.40	F	1.10		1.45
b1	0.65		1.00	L	12.50		14.50
c	0.35		0.75	L1	3.00	3.50	4.00
D	15.00		16.50	Q	2.50		3.00
D1	5.90		6.90	Q1	2.00		3.00
				ΦP	3.60		3.90

