

### • General Description

The ZMC88307D combines advanced trench MOSFET technology with a low resistance package to provide extremely low  $R_{DS(ON)}$ . It combines one N Channel MOSFET and one P channel MOSFET.

### • Features

- Advance high cell density Trench technology
- Low  $R_{DS(ON)}$  to minimize conductive loss
- Low Gate Charge for fast switching
- Dual DIE in one package

### • Application

- Power Management in Notebook Computer
- BLDC Motor driver

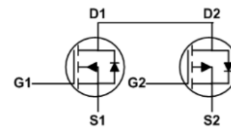
### • Ordering Information:

Part NO.	ZMC88307D
Marking	ZMC88307
Packing Information	REEL TAPE
Basic ordering unit (pcs)	2500

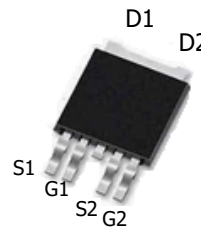
### • N Channel Absolute Maximum Ratings ( $T_C = 25^\circ\text{C}$ )

Parameter	Symbol	Rating	Unit
Drain-Source Voltage	$V_{DS}$	30	V
Gate-Source Voltage	$V_{GS}$	12	V
Continuous Drain Current	$I_D @ T_C = 25^\circ\text{C}$	7	A
	$I_D @ T_C = 75^\circ\text{C}$	5.3	A
	$I_D @ T_C = 100^\circ\text{C}$	4.4	A
Pulsed Drain Current <sup>①</sup>	$I_{DM}$	21	A
Total Power Dissipation	$P_D @ T_C = 25^\circ\text{C}$	50	W
Total Power Dissipation	$P_D @ T_A = 25^\circ\text{C}$	2.0	W
Operating Junction Temperature	$T_J$	-55 to 150	$^\circ\text{C}$
Storage Temperature	$T_{STG}$	-55 to 150	$^\circ\text{C}$
Single Pulse Avalanche Energy	$E_{AS}$	6	mJ

### • Product Summary



$V_{DS1} = 30\text{V}$   
 $V_{DS2} = -30\text{V}$   
 $R_{DS(ON)1} = 28\text{m}\Omega$   
 $R_{DS(ON)2} = 50\text{m}\Omega$   
 $I_{D1} = 7\text{A}$   
 $I_{D2} = -3.5\text{A}$



**•P Channel Absolute Maximum Ratings (T<sub>C</sub> =25°C)**

Parameter	Symbol	Rating	Unit
Drain-Source Voltage	V <sub>DS</sub>	-30	V
Gate-Source Voltage	V <sub>GS</sub>	±20	V
Continuous Drain Current	I <sub>D</sub> @T <sub>C</sub> =25°C	-3.5	A
	I <sub>D</sub> @T <sub>C</sub> =75°C	-2.7	A
	I <sub>D</sub> @T <sub>C</sub> =100°C	-2.2	A
Pulsed Drain Current ④	I <sub>DM</sub>	-10.5	A
Total Power Dissipation	P <sub>D</sub> @T <sub>C</sub> =25°C	50	W
Total Power Dissipation	P <sub>D</sub> @T <sub>A</sub> =25°C	2.0	W
Operating Junction Temperature	T <sub>J</sub>	-55 to 150	°C
Storage Temperature	T <sub>STG</sub>	-55 to 150	°C
Single Pulse Avalanche Energy	E <sub>AS</sub>	12	mJ

**•Thermal resistance**

Parameter	Symbol	Min.	Typ.	Max.	Unit
Thermal resistance, junction - case	R <sub>thJC</sub>	-	-	2.3	° C/W
Thermal resistance, junction - ambient	R <sub>thJA</sub>	-	-	62	° C/W
Soldering temperature, wavesoldering for 10s	T <sub>sold</sub>	-	-	265	° C

**•N Channel Electronic Characteristics**

Parameter	Symbol	Condition	Min.	Typ	Max.	Unit
Drain-Source Breakdown Voltage	BV <sub>DSS</sub>	V <sub>GS</sub> =0V, I <sub>D</sub> =250uA	30			V
Gate Threshold Voltage	V <sub>GS(TH)</sub>	V <sub>GS</sub> =V <sub>DS</sub> , I <sub>D</sub> =250uA	0.5	0.7	1.1	V
Drain-Source Leakage Current	I <sub>DSS</sub>	V <sub>DS</sub> =30V, V <sub>GS</sub> =0V			1.0	uA
Gate- Source Leakage Current	I <sub>GSS</sub>	V <sub>GS</sub> =±12V, V <sub>DS</sub> =0V			±100	nA
Static Drain-source On Resistance	R <sub>DS(ON)</sub>	V <sub>GS</sub> =4.5V, I <sub>D</sub> =3.5A		28	36	mΩ
		V <sub>GS</sub> =2.5V, I <sub>D</sub> =3A		35	45	mΩ
Forward Transconductance	g <sub>FS</sub>	V <sub>DS</sub> =25V, I <sub>D</sub> =5A		2		s

**•Dynamic Characteristics**

Parameter	Symbol	Condition	Min.	Typ	Max.	Unit
-----------	--------	-----------	------	-----	------	------

Gate Resistance	R <sub>g</sub>	f = 1MHz		1.5		Ω
Input capacitance	C <sub>iss</sub>	f = 1MHz V <sub>DS</sub> =25V	-	280	-	pF
Output capacitance	C <sub>oss</sub>		-	46	-	
Reverse transfer capacitance	C <sub>rss</sub>		-	25	-	
Total gate charge	Q <sub>g</sub>	V <sub>DD</sub> = 25V I <sub>D</sub> = 5A V <sub>GS</sub> = 10V	-	5.3	-	nC
Gate - Source charge	Q <sub>gs</sub>		-	1.4	-	
Gate - Drain charge	Q <sub>gd</sub>		-	0.8	-	

#### •P Channel Electronic Characteristics

Parameter	Symbol	Condition	Min.	Typ	Max.	Unit
Drain-Source Breakdown Voltage	BV <sub>DSS</sub>	V <sub>GS</sub> = 0V, I <sub>D</sub> = -250uA	-30			V
Gate Threshold Voltage	V <sub>GS(TH)</sub>	V <sub>GS</sub> = V <sub>DS</sub> , I <sub>D</sub> = -250uA	-1.2		-2.5	V
Drain-Source Leakage Current	I <sub>DSS</sub>	V <sub>DS</sub> = -30V, V <sub>GS</sub> = 0V			-1.0	uA
Gate- Source Leakage Current	I <sub>GSS</sub>	V <sub>GS</sub> = ±12V, V <sub>DS</sub> = 0V			±100	nA
Static Drain-source On Resistance	R <sub>DS(ON)</sub>	V <sub>GS</sub> = -4.5V, I <sub>D</sub> = -3.5A		50	65	mΩ
		V <sub>GS</sub> = -2.5V, I <sub>D</sub> = -3A		60	80	mΩ
Forward Transconductance	g <sub>FS</sub>	V <sub>DS</sub> = -10V, I <sub>D</sub> = -5A		1.5		s

#### •Dynamic Characteristics

Parameter	Symbol	Condition	Min.	Typ	Max.	Unit
Gate Resistance	R <sub>g</sub>	f = 1MHz		1.5		Ω
Input capacitance	C <sub>iss</sub>	f = 1MHz V <sub>DS</sub> =25V	-	400	-	pF
Output capacitance	C <sub>oss</sub>		-	110	-	
Reverse transfer capacitance	C <sub>rss</sub>		-	60	-	
Total gate charge	Q <sub>g</sub>	V <sub>DD</sub> = 25V I <sub>D</sub> = 5A V <sub>GS</sub> = 10V	-	10	-	nC
Gate - Source charge	Q <sub>gs</sub>		-	1.6	-	
Gate - Drain charge	Q <sub>gd</sub>		-	2.2	-	

•N Channel characteristics curve

Fig.1 Power Dissipation

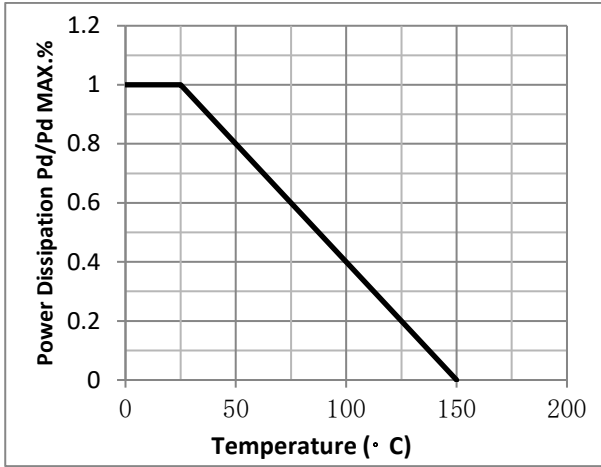


Fig.2 Typical output Characteristics

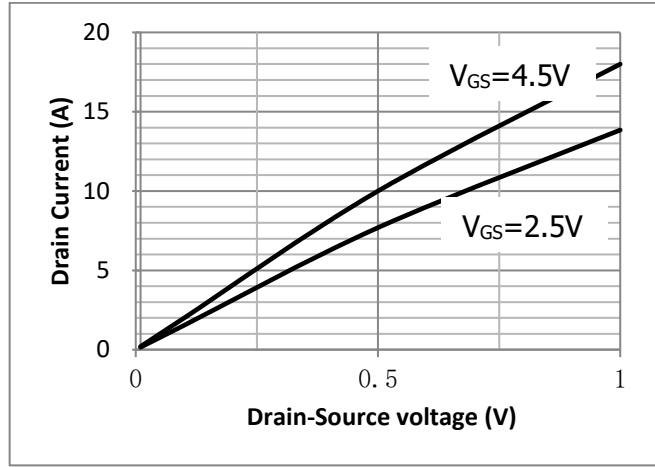


Fig.3 Threshold Voltage V.S Junction Temperature

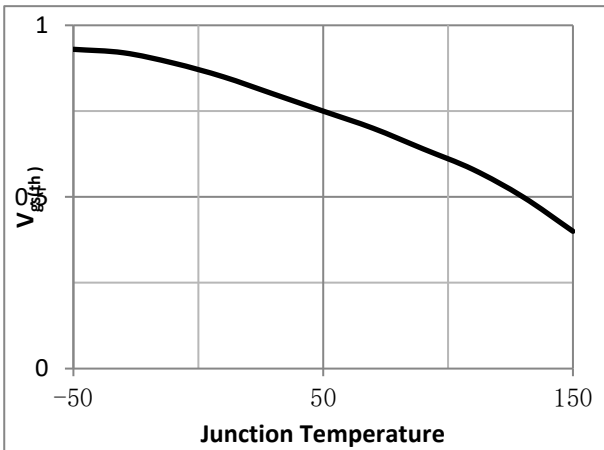


Fig.4 Resistance V.S Drain Current

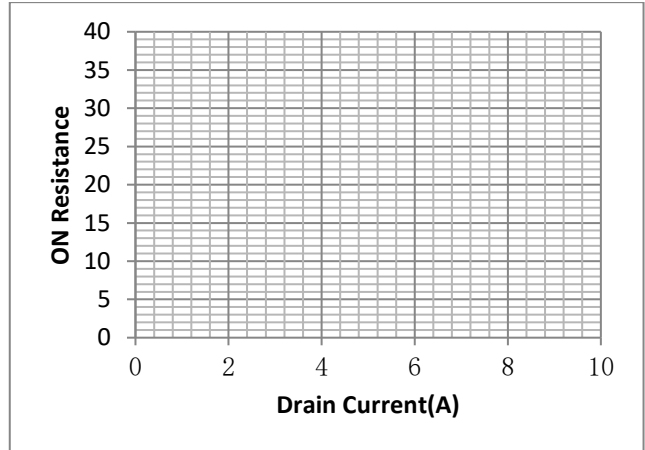


Fig.5 On-Resistance VS Gate Source Voltage

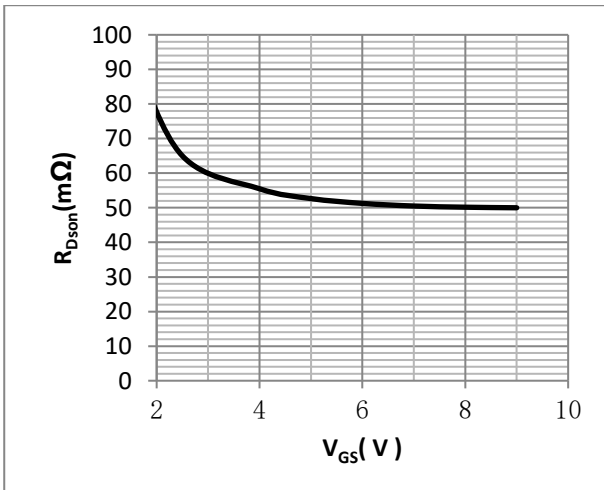
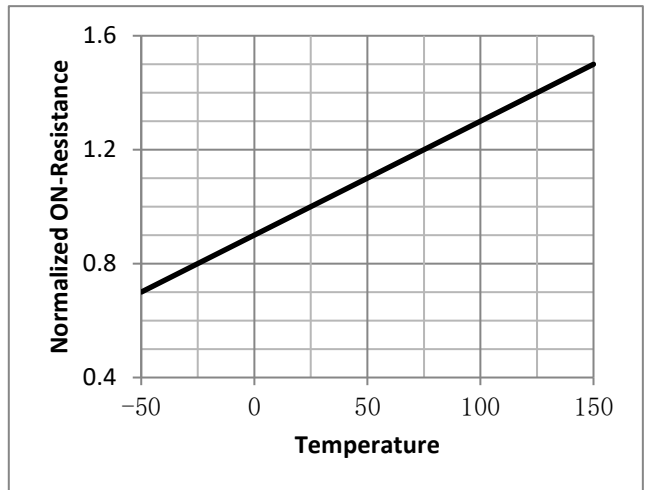


Fig.6 On-Resistance V.S Junction Temperature



•P Channel characteristics curve

Fig.1 Power Dissipation Derating Curve

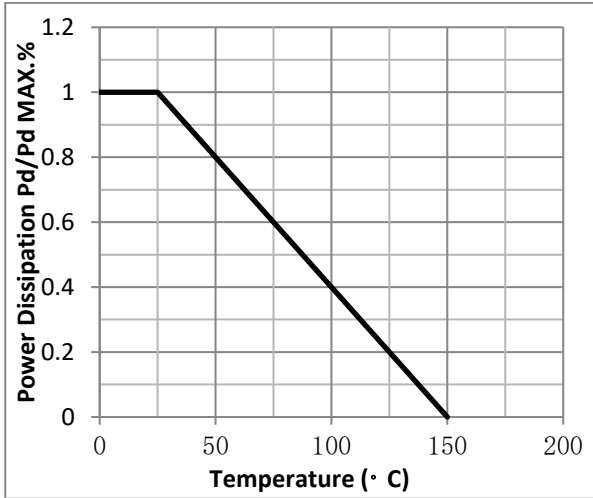


Fig.2 Typical output Characteristics

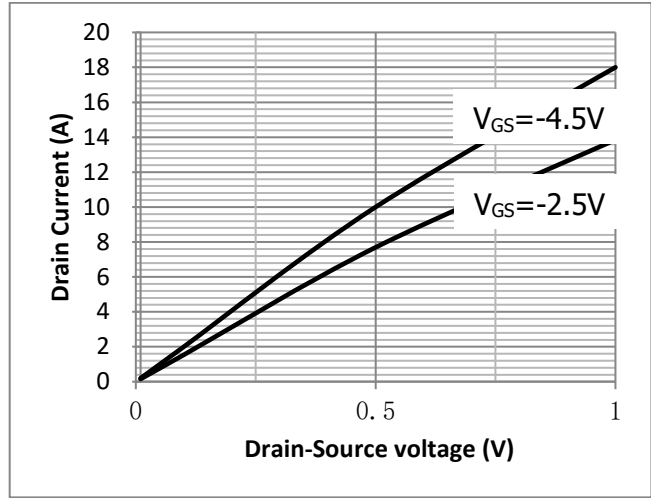


Fig.3 Threshold Voltage V.S Junction Temperature

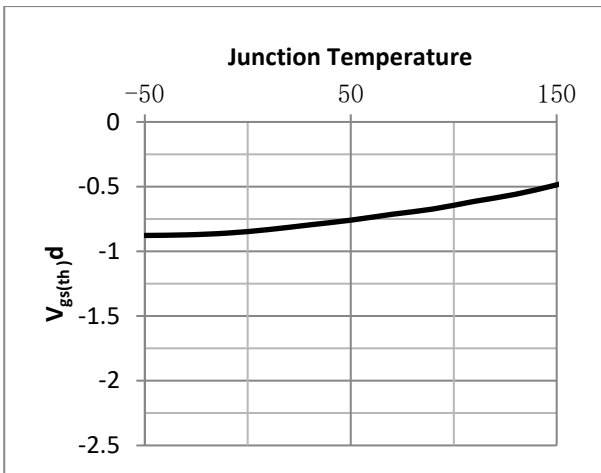


Fig.4 Resistance V.S Drain Current

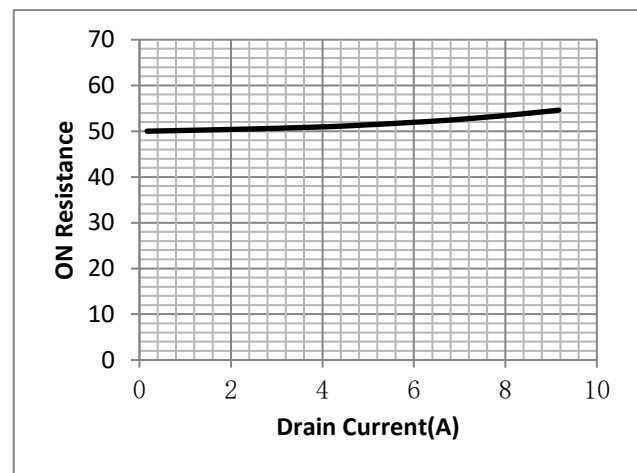


Fig.5 On-Resistance VS Gate Source Voltage

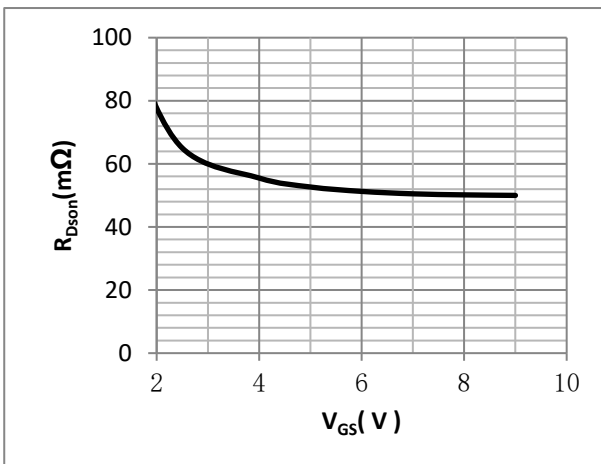
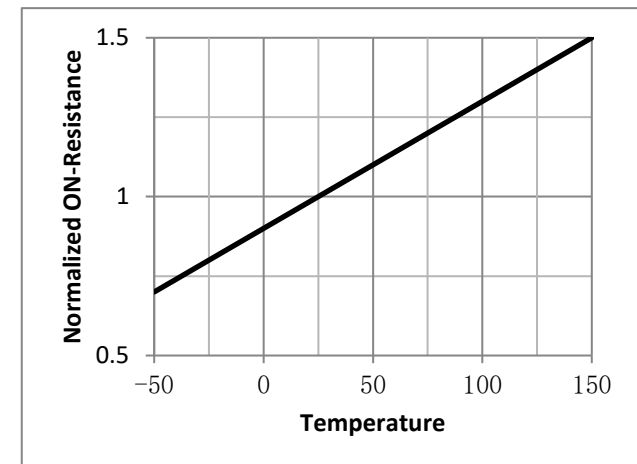


Fig.6 On-Resistance V.S Junction Temperature



•Test Circuit

Fig.1 Switching Time Measurement Circuit

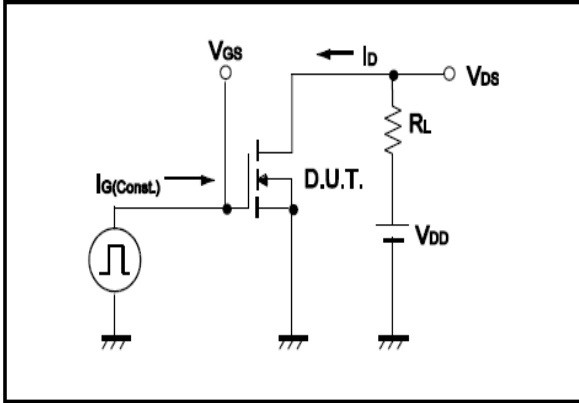


Fig.2 Gate Charge Waveform

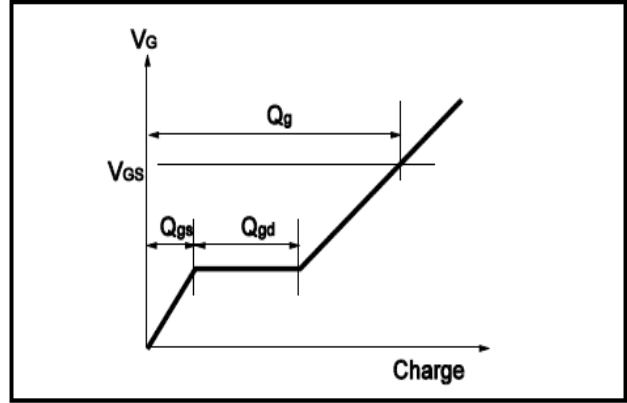


Fig.3 Switching Time Measurement Circuit

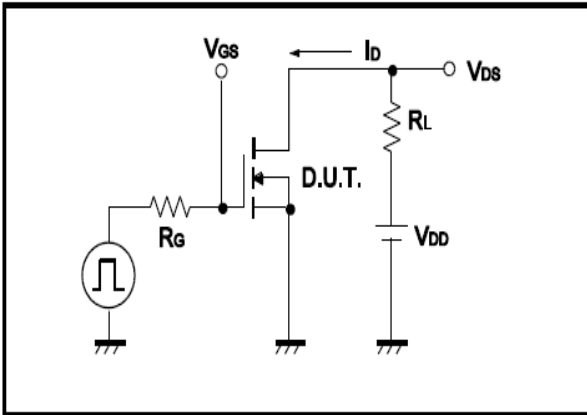


Fig.4 Gate Charge Waveform

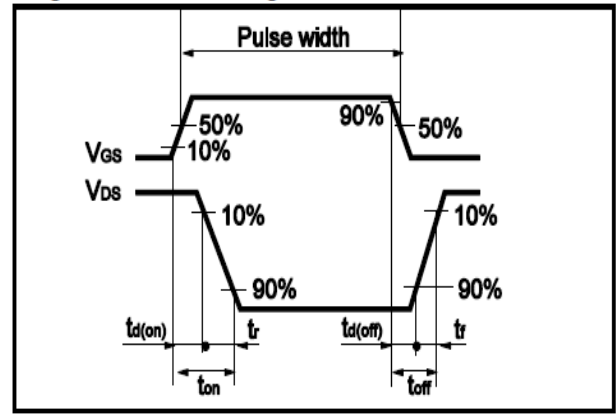


Fig.5 Avalanche Measurement Circuit

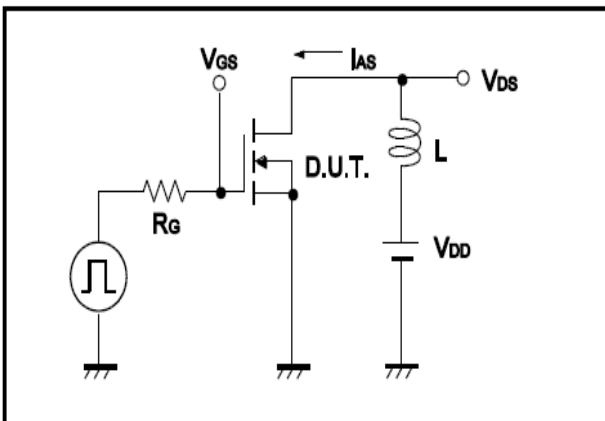
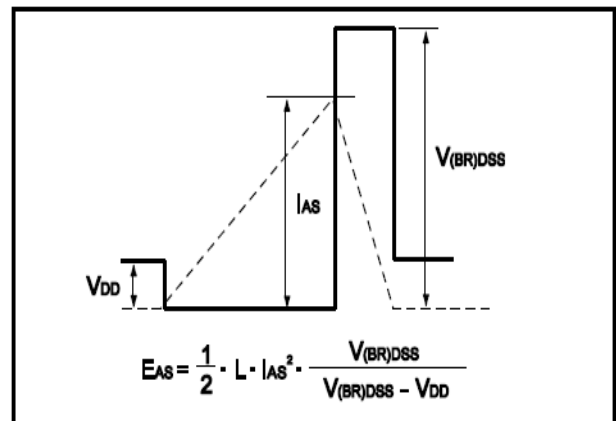


Fig.6 Avalanche Waveform





●Dimensions(TO-252-4)

Unit: mm

