

**• General Description**

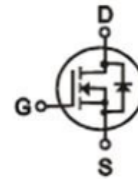
It combines advanced SGT MOSFET technology with a low resistance package to provide extremely low $R_{DS(ON)}$.

• Features

- Advance high cell density Trench technology
- Low $R_{DS(ON)}$ to minimize conductive loss
- Low Gate Charge for fast switching
- Low Thermal resistance

• Application

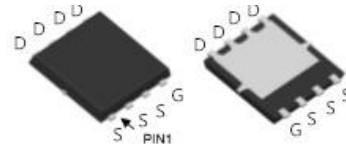
- MB/VGA Vcore
- SMPS 2nd Synchronous Rectifier
- POL application
- BLDC Motor driver

• Product Summary

$V_{DS} = 30V$

$R_{DS(ON)} = 2.6m\Omega$

$I_D = 80A$



DFN5 x 6

• Ordering Information:

Part NO.	ZMS026N03N
Marking	ZMS026N03
Packing Information	REEL TAPE
Basic ordering unit (pcs)	3000

• Absolute Maximum Ratings (T_C=25°C)

Parameter	Symbol	Rating	Unit
Drain-Source Voltage	V_{DS}	30	V
Gate-Source Voltage	V_{GS}	±20	V
Continuous Drain Current	$I_D @TC=25^\circ C$	80	A
	$I_D @TC=75^\circ C$	61	A
	$I_D @TC=100^\circ C$	50	A
Pulsed Drain Current ①	I_{DM}	240	A
Total Power Dissipation	$P_D @TC=25^\circ C$	62.5	W
Total Power Dissipation	$P_D @TA=25^\circ C$	2.5	W
Operating Junction Temperature	T_J	-55 to 150	°C
Storage Temperature	T_{STG}	-55 to 150	°C
Single Pulse Avalanche Energy	E_{AS}	80	mJ



•Thermal resistance

Parameter	Symbol	Min.	Typ.	Max.	Unit
Thermal resistance, junction - case	R_{thJC}	-	-	1.9	$^{\circ}C/W$
Thermal resistance, junction - ambient	R_{thJA}	-	-	50	$^{\circ}C/W$
Soldering temperature, wave soldering for 10s	T_{sold}	-	-	265	$^{\circ}C$

•Electronic Characteristics

Parameter	Symbol	Condition	Min.	Typ	Max.	Unit
Drain-Source Breakdown Voltage	BV_{DSS}	$V_{GS} = 0V, I_D = 250\mu A$	30			V
Gate Threshold Voltage	$V_{GS(TH)}$	$V_{GS} = V_{DS}, I_D = 250\mu A$	1.5	1.8	2.5	V
Drain-Source Leakage Current	I_{DSS}	$V_{DS} = 30V, V_{GS} = 0V$			1.0	μA
Gate- Source Leakage Current	I_{GSS}	$V_{GS} = \pm 20V, V_{DS} = 0V$			± 100	nA
Static Drain-source On Resistance	$R_{DS(ON)}$	$V_{GS} = 10V, I_D = 20A$		2.6	3.6	$m\Omega$
		$V_{GS} = 4.5V, I_D = 10A$		3.5	4.5	$m\Omega$
Forward Transconductance	g_{FS}	$V_{DS} = 25V, I_D = 4A$		8		S
Source-drain voltage	V_{SD}	$I_S = 20A$			1.28	V

•Electronic Characteristics

Parameter	Symbol	Condition	Min.	Typ	Max.	Unit
Input capacitance	C_{iss}	$f = 1MHz$	-	1350	-	pF
Output capacitance	C_{oss}		-	372	-	
Reverse transfer capacitance	C_{rss}		-	32	-	

•Gate Charge characteristics($T_a = 25^{\circ}C$)

Parameter	Symbol	Condition	Min.	Typ	Max.	Unit	
Total gate charge	$Q_g(10V)$	$V_{DD} = 15V$ $I_D = 20A$ $V_{GS} = 10V$	-	23.4	-	nC	
Total gate charge	$Q_g(4.5V)$			12.5		nC	
Gate - Source charge	Q_{gs}			-	5.0	-	nC
Gate - Drain charge	Q_{gd}			-	2.7	-	nC
Turn-ON Delay time	$t_{D(on)}$	$V_{DD} = 15V$ $I_D = 20A$ $V_{GS} = 4.5V$		8.9		nS	
Turn-ON Rise time	t_r				3.5		nS
Turn-Off Delay time	$t_{D(off)}$				34		nS



Turn-Off Fall time	tf	$R_{G,ext}=2\Omega$		4.7		nS
Body Diode Reverse Recovery Time	trr	IF=20A, dI/dt=100A/ μ s		12		nS
Body Diode Reverse Recovery Charge	Qrr			20		nS

Note: ① Pulse Test : Pulse width $\leq 300\mu$ s, Duty cycle $\leq 2\%$;

Fig.1 Power Dissipation

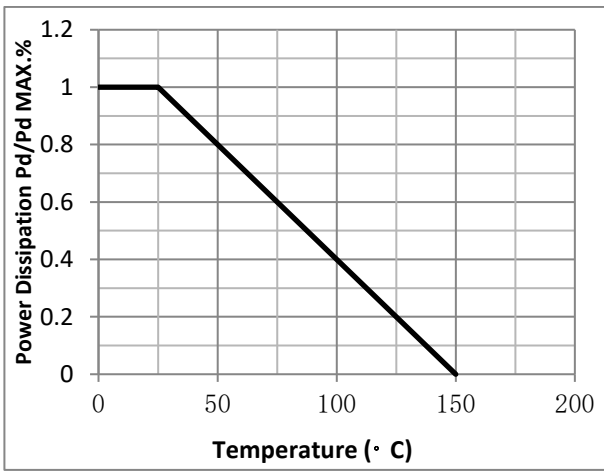


Fig.2 Typical output Characteristics

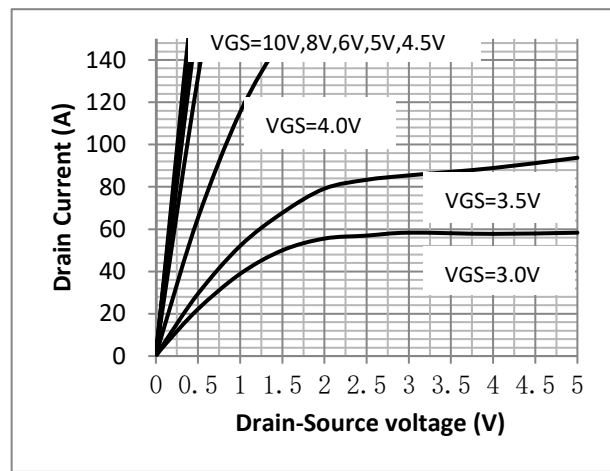


Fig.3 Threshold Voltage V.S Junction Temperature

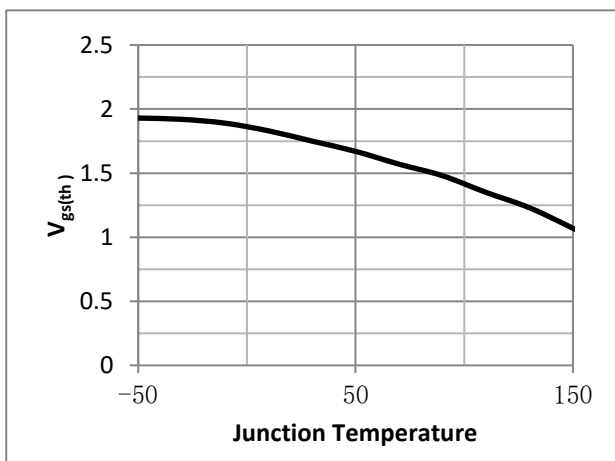


Fig.4 Resistance V.S Drain Current

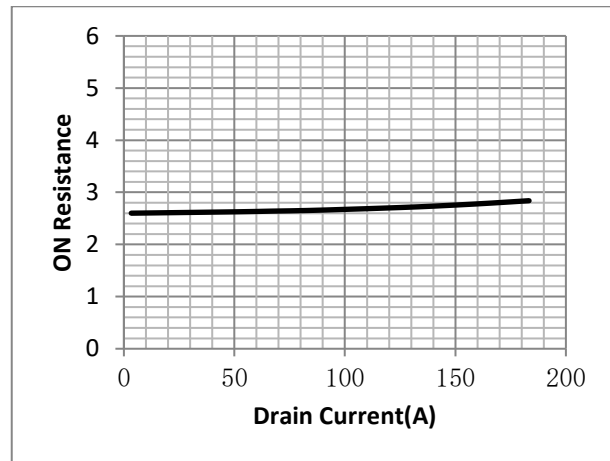




Fig.5 On-Resistance VS Gate Source Voltage

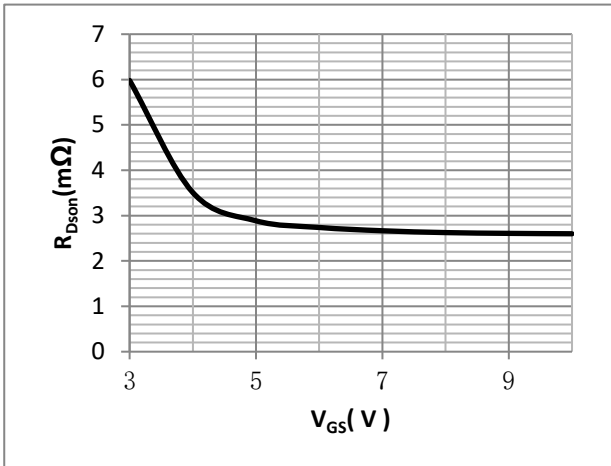


Fig.6 On-Resistance V.S Junction Temperature

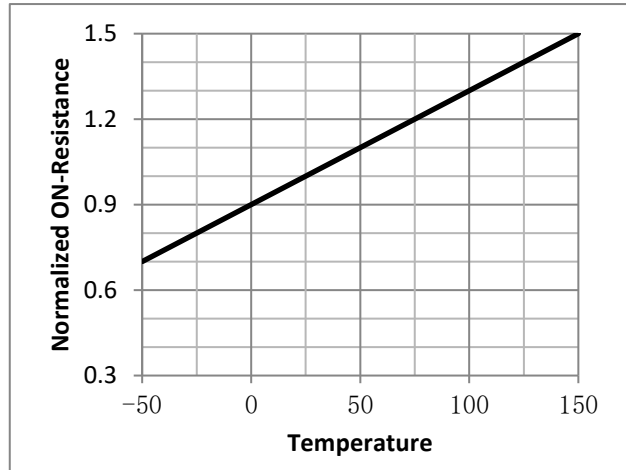


Fig.7 Gate Charge Characteristics

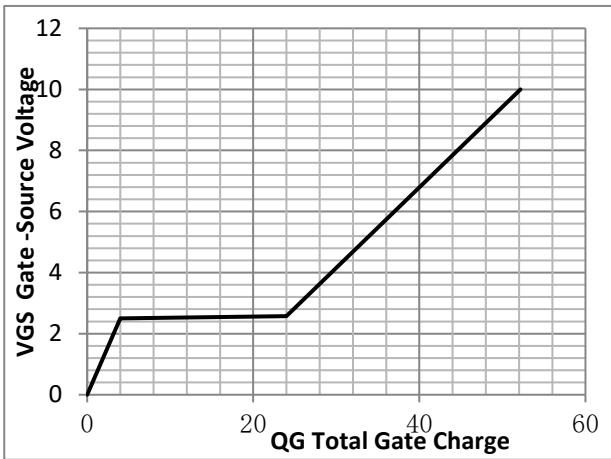


Fig.8 Capacitance vs Vds

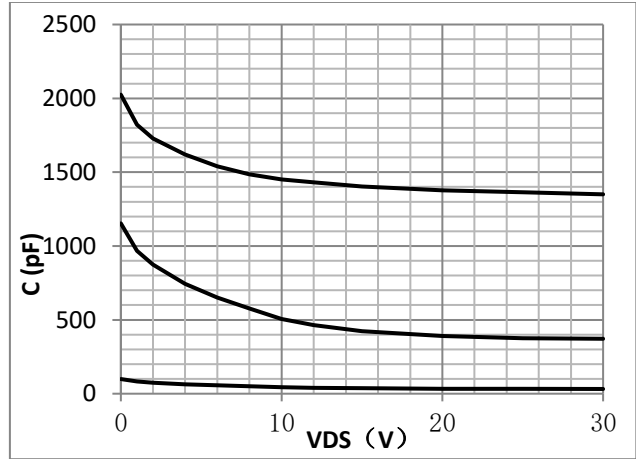


Fig.9 SOA Maximum Safe Operating Area

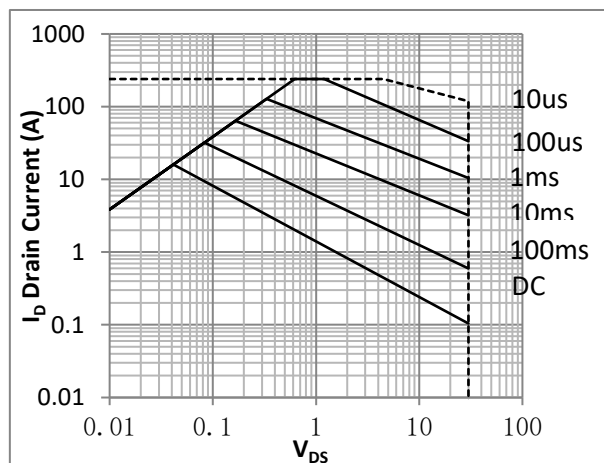


Fig.10 I_D -Junction Temperature

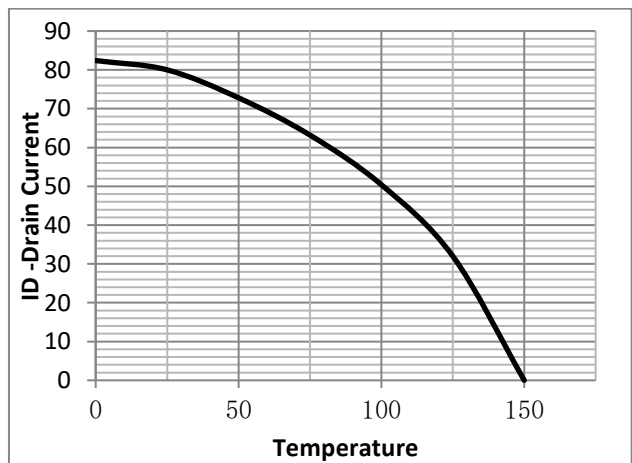


Fig.11 Switching Time Measurement Circuit

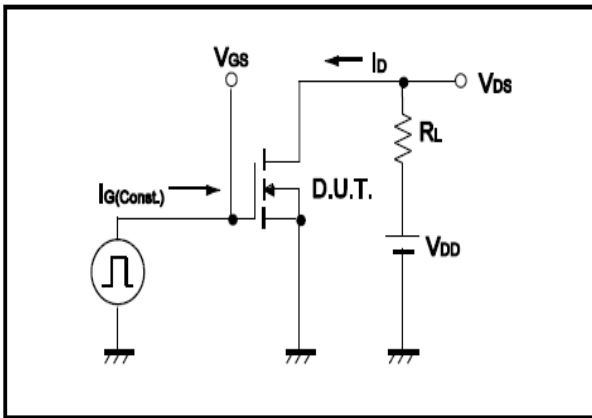


Fig.12 Gate Charge Waveform

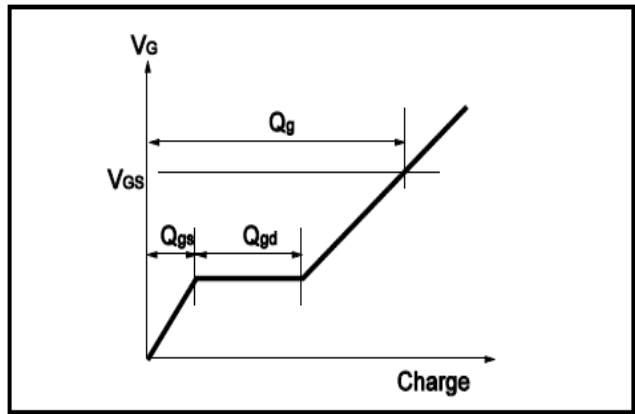


Fig.13 Resistive Switching Test Circuit

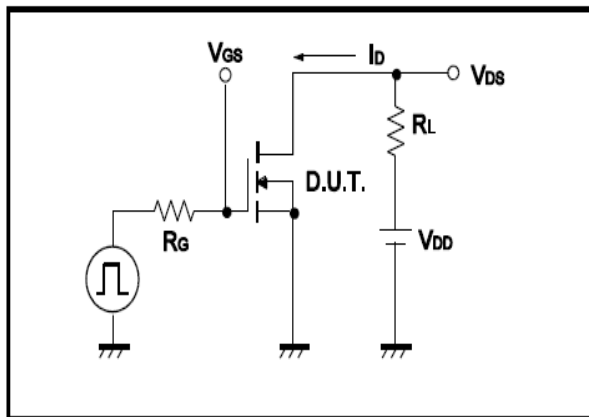


Fig.14 Resistive Switching Test Waveform

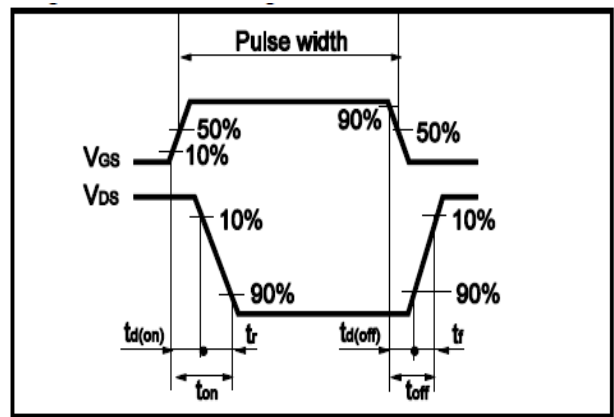


Fig.15 Avalanche Measurement Circuit

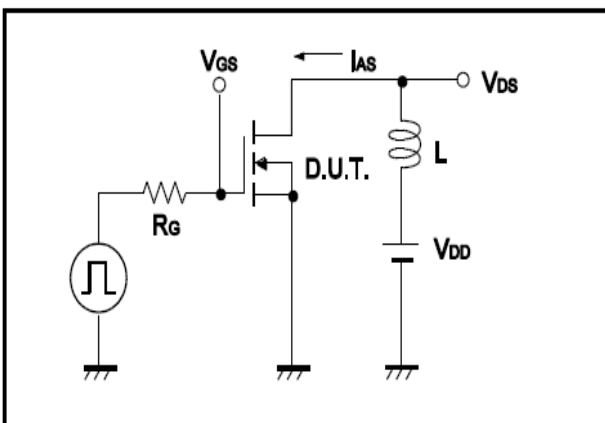
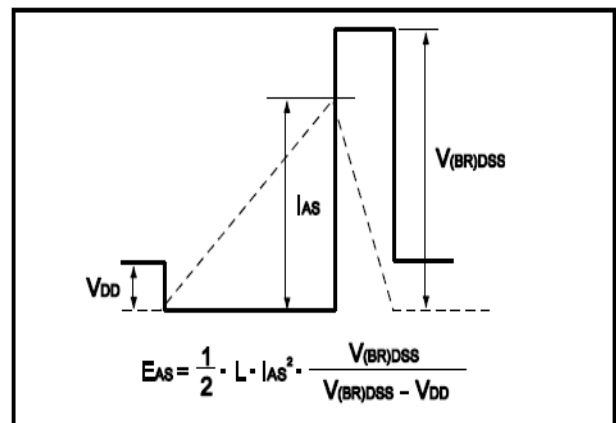


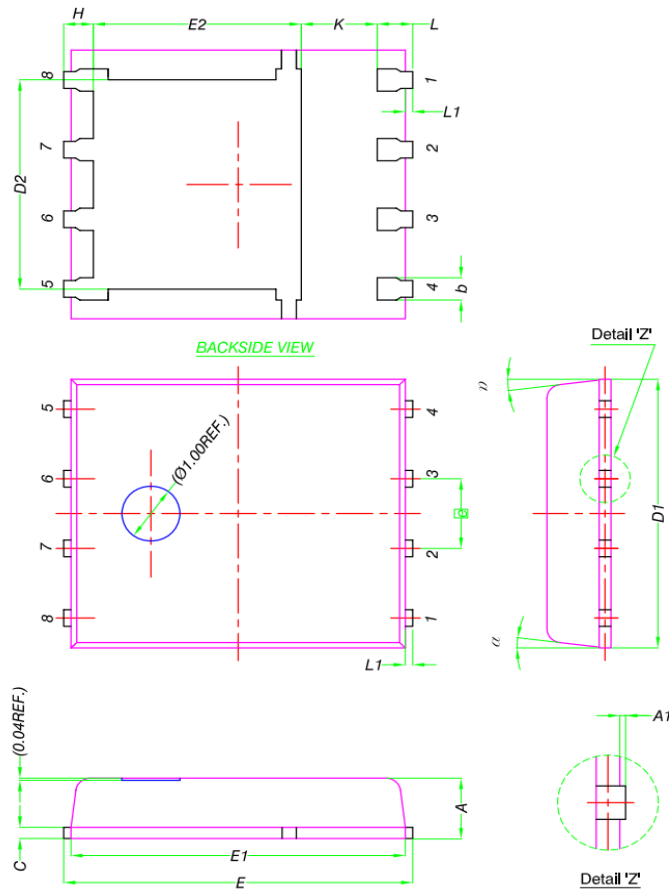
Fig.16 Avalanche Waveform





•Dimensions (DFN5x6)

Unit: mm



DIM.	MILLIMETERS		
	MIN.	NOM.	MAX.
A	0.90	1.00	1.10
A1	0	-	0.05
b	0.33	0.41	0.51
C	0.20	0.25	0.30
D1	4.80	4.90	5.00
D2	3.61	3.81	3.96
E	5.90	6.00	6.10
E1	5.70	5.75	5.80
E2	3.38	3.58	3.78
e	1.27 BSC		
H	0.41	0.51	0.61
K	1.10	-	-
L	0.51	0.61	0.71
L1	0.06	0.13	0.20
α	0°	-	12°