

• General Description

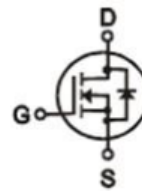
The ZM042N04D combines advanced trench MOSFET technology with a low resistance package to provide extremely low $R_{DS(ON)}$. This device is ideal for load switch and battery protection applications.

• Features

- Low $R_{DS(ON)}$ to minimize conductive loss
- Low Gate Charge for fast switching
- Low Thermal resistance

• Application

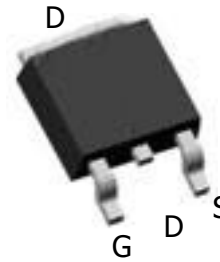
- BLDC Motor driver
- SMPS 2nd Synchronous Rectifier
- Battery protection

• Product Summary


$V_{DS} = 40V$

$R_{DS(ON)} = 5.5m\Omega$

$I_D = 80A$


• Ordering Information:

Part NO.	ZM042N04D
Marking	ZM042N04
Packing Information	REEL TAPE
Basic ordering unit (pcs)	2500

• Absolute Maximum Ratings ($T_C = 25^\circ C$)

Parameter	Symbol	Rating	Unit
Drain-Source Voltage	V_{DS}	40	V
Gate-Source Voltage	V_{GS}	± 20	V
Continuous Drain Current	$I_D @ TC=25^\circ C$	80	A
	$I_D @ TC=75^\circ C$	60.8	A
	$I_D @ TC=100^\circ C$	50.4	A
Pulsed Drain Current ①	I_{DM}	160	A
Total Power Dissipation	$P_D @ TC=25^\circ C$	70	W
Total Power Dissipation	$P_D @ TA=25^\circ C$	2.5	W
Operating Junction Temperature	T_J	-55 to 150	$^\circ C$
Storage Temperature	T_{STG}	-55 to 150	$^\circ C$
Single Pulse Avalanche Energy	E_{AS}	100	mJ



●Thermal resistance

Parameter	Symbol	Min.	Typ.	Max.	Unit
Thermal resistance, junction - case	R_{thJC}	-	-	2.1	$^{\circ}C/W$
Thermal resistance, junction - ambient	R_{thJA}	-	-	65	$^{\circ}C/W$
Soldering temperature, wave soldering for 10s	T_{sold}	-	-	265	$^{\circ}C$

●Electronic Characteristics

Parameter	Symbol	Condition	Min.	Typ	Max.	Unit
Drain-Source Breakdown Voltage	BV_{DSS}	$V_{GS}=0V, I_D=250\mu A$	40			V
Gate Threshold Voltage	$V_{GS(TH)}$	$V_{GS}=V_{DS}, I_D=250\mu A$	1.0		2.5	V
Drain-Source Leakage Current	I_{DSS}	$V_{DS}=40V, V_{GS}=0V$			1.0	μA
Gate- Source Leakage Current	I_{GSS}	$V_{GS}=\pm 20V, V_{DS}=0V$			± 100	nA
Static Drain-source On Resistance	$R_{DS(ON)}$	$V_{GS}=10V, I_D=24A$		5.5	7.0	m Ω
		$V_{GS}=4.5V, I_D=12A$		7.6	10	m Ω
Forward Trans conductance	g_{FS}	$V_{DS}=25V, I_D=10A$		12		S
Source-drain voltage	V_{SD}	$I_S=24A$			1.28	V

●Electronic Characteristics

Parameter	Symbol	Condition	Min.	Typ	Max.	Unit
Gate Resistance	R_G	$f = 1MHz$ $V_{DS}=25V$		1.4		Ω
Input capacitance	C_{iss}		-	3300	-	pF
Output capacitance	C_{oss}		-	232	-	
Reverse transfer capacitance	C_{rss}		-	171	-	

●Gate Charge characteristics($T_a = 25^{\circ}C$)

Parameter	Symbol	Condition	Min.	Typ	Max.	Unit
Total gate charge	Q_g	$V_{DD}=25V$ $I_D=8A$ $V_{GS}=10V$	-	51	-	nC
	$Q_g(4.5v)$			27		
Gate - Source charge	Q_{gs}		-	9.0	-	
Gate - Drain charge	Q_{gd}		-	9.6	-	

Note: ① Pulse Test : Pulse width $\leq 300\mu s$, Duty cycle $\leq 2\%$;



Fig.1 Power Dissipation

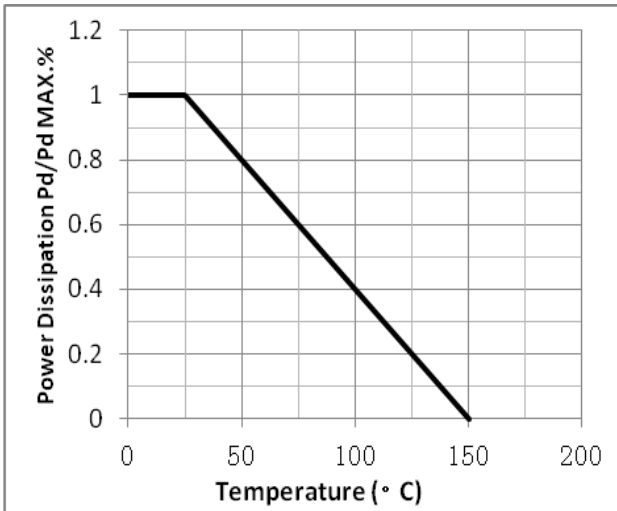


Fig.2 Typical output Characteristics

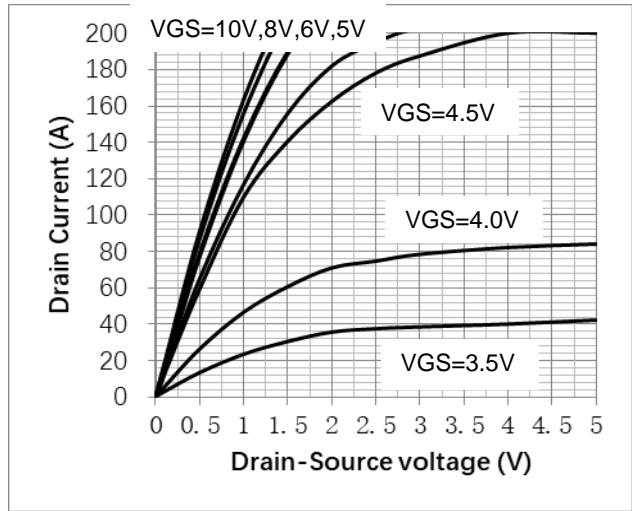


Fig.3 Threshold Voltage V.S Junction Temperature

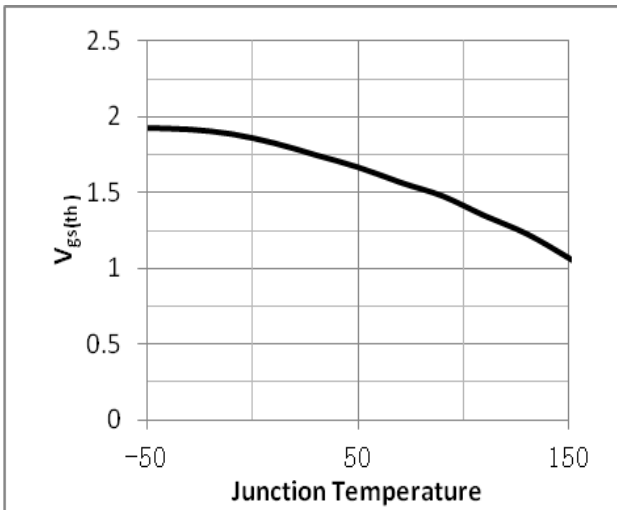


Fig.4 Resistance V.S Drain Current

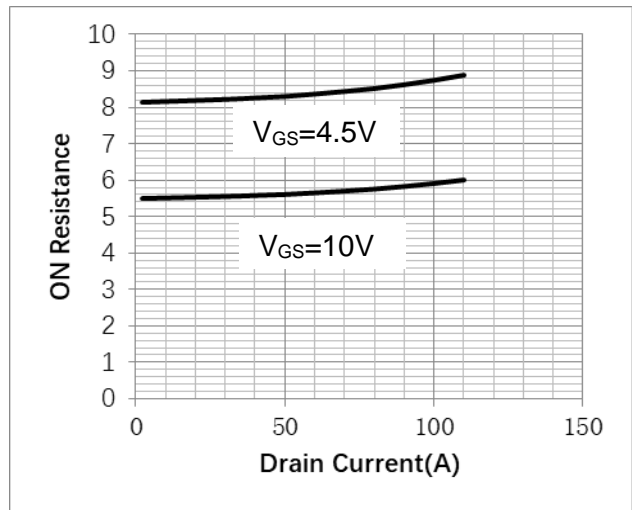


Fig.5 On-Resistance VS Gate Source Voltage

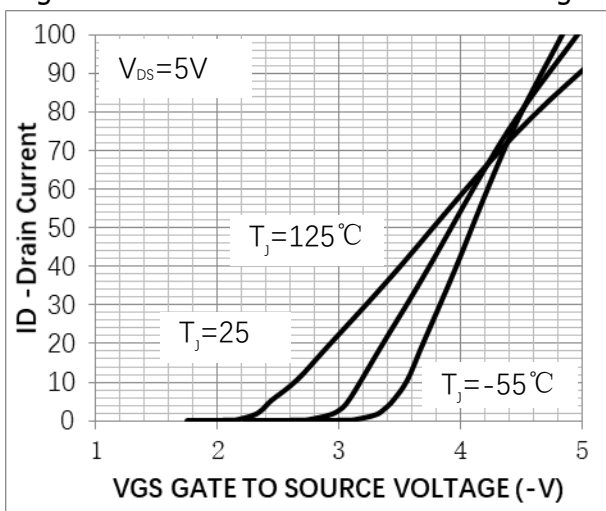


Fig.6 On-Resistance V.S Junction Temperature

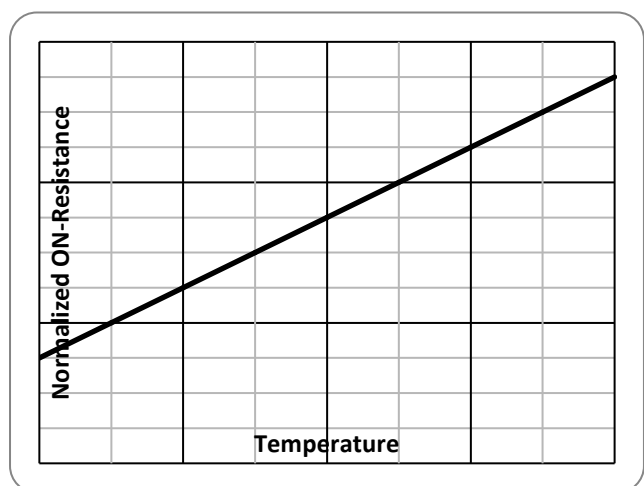


Fig.7 Gate Charge Characteristics

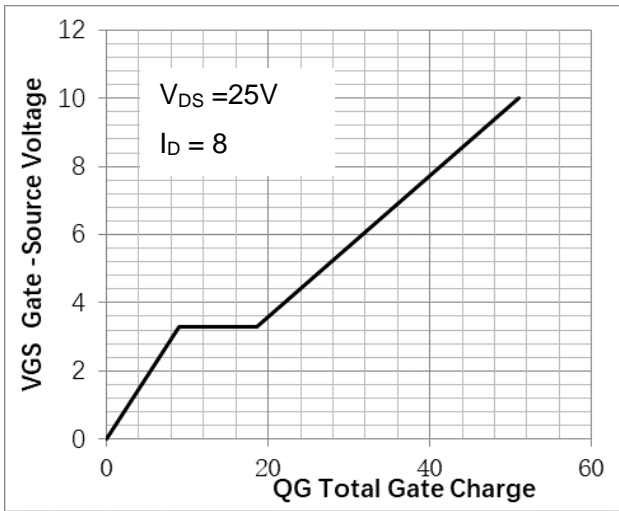


Fig.8 Capacitance vs Vds

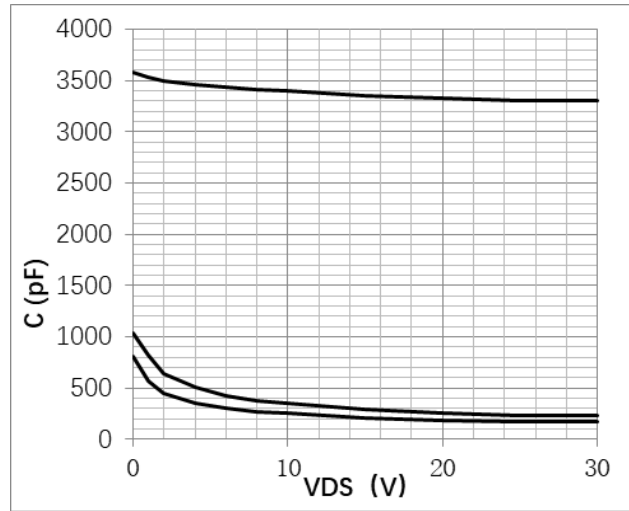


Fig.9 SOA Maximum Safe Operating Area

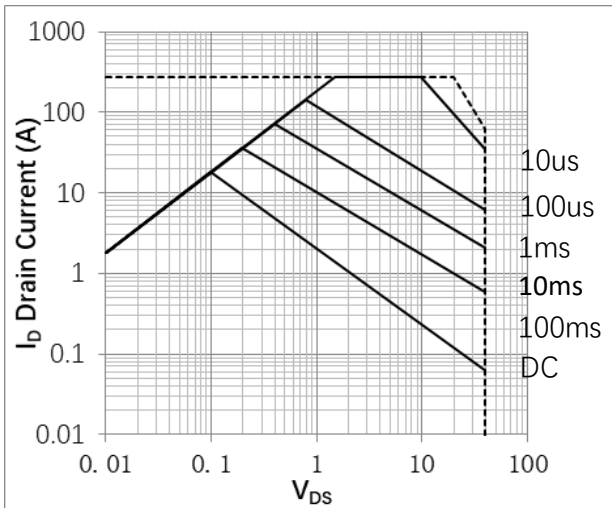


Fig.10 ID-Junction Temperature

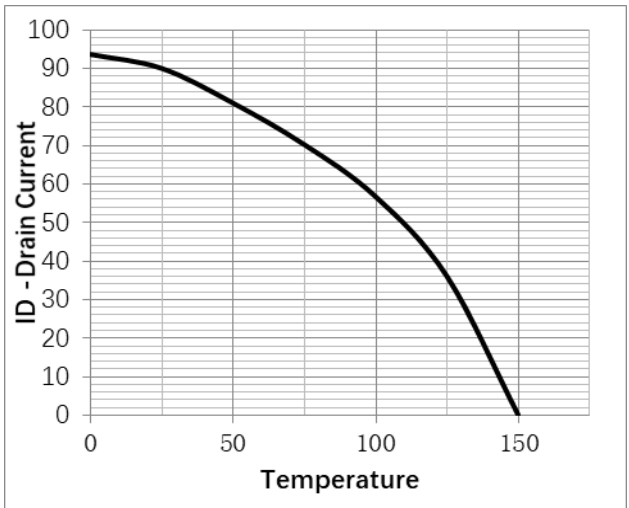


Figure 11. Diode Forward Voltage vs. Current

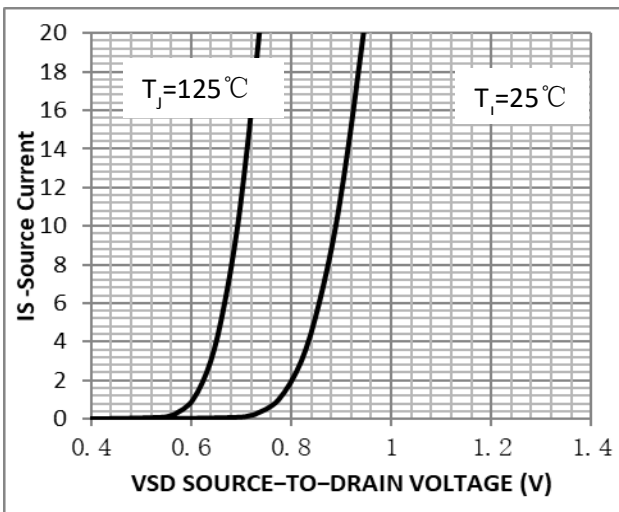


Fig.12 Transfer Characteristics

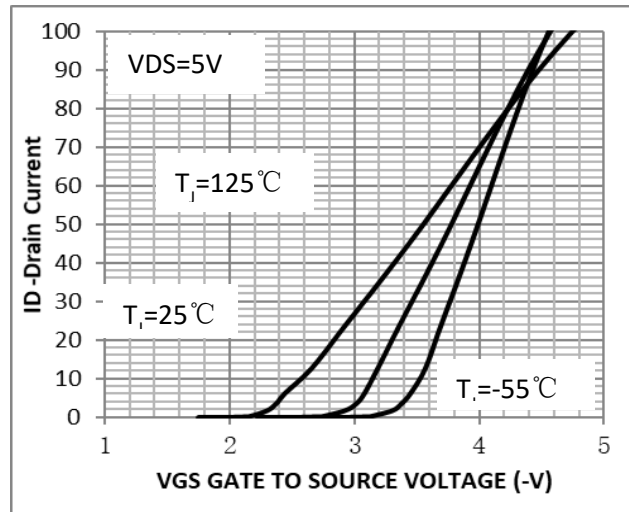


Fig.13 Switching Time Measurement Circuit

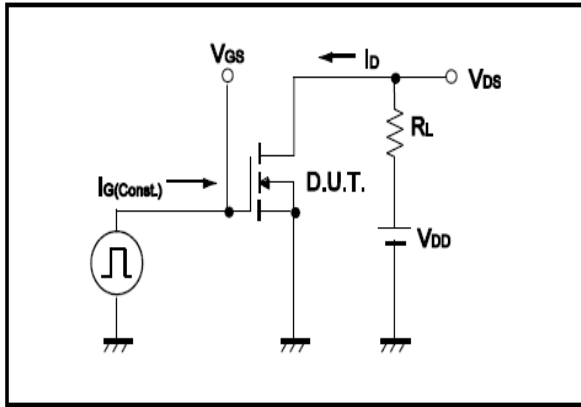


Fig.14 Gate Charge Waveform

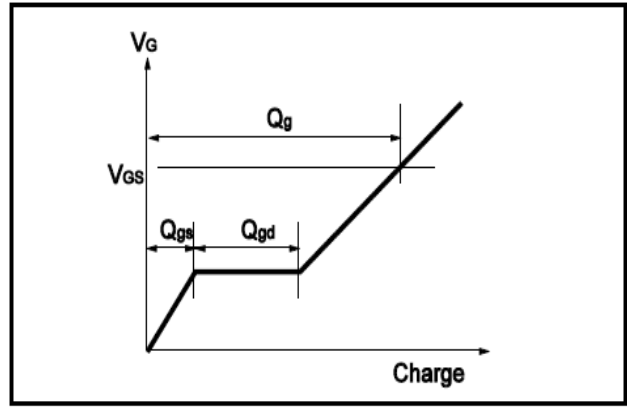


Fig.15 Switching Time Measurement Circuit

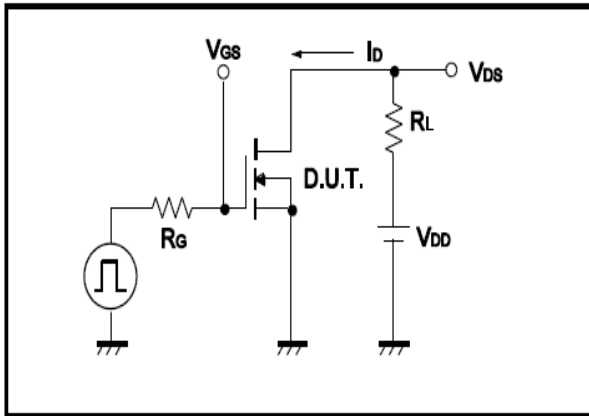


Fig.16 Gate Charge Waveform

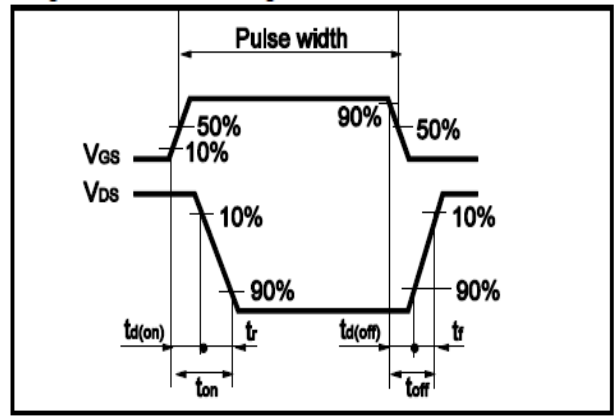


Fig.17 Avalanche Measurement Circuit

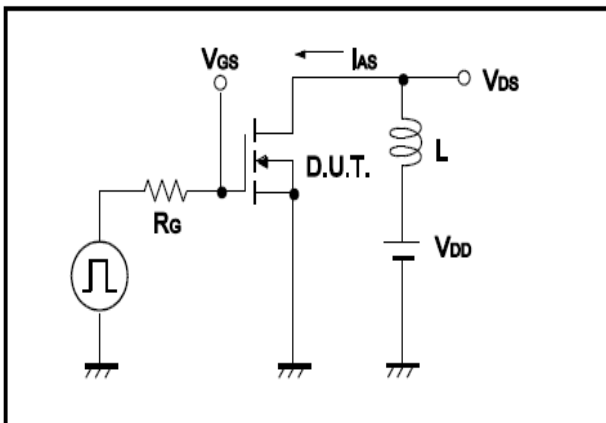
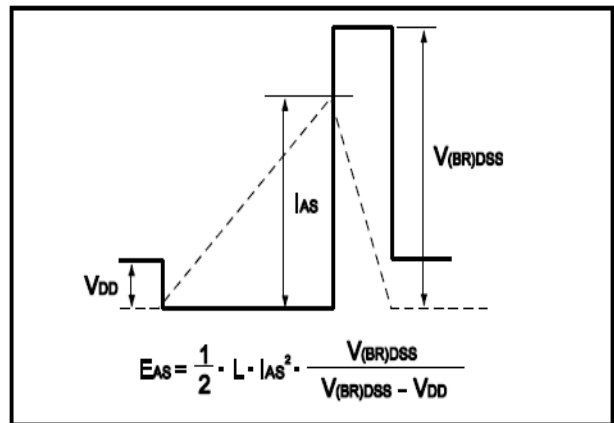


Fig.18 Avalanche Waveform





• Dimensions (TO-252)

Unit: mm

SYMBOL	min	max	SYMBOL	min	max
A	2.10	2.50	B	0.85	1.25
b	0.50	0.80	b1	0.50	0.90
b2	0.45	0.70	C	0.45	0.70
D	6.30	6.75	D1	5.10	5.50
E	5.30	6.30	e1	2.25	2.35
L1	9.20	10.60	e2	4.45	4.75
L2	0.90	1.75	L3	0.60	1.10
K	0.00	0.23			

